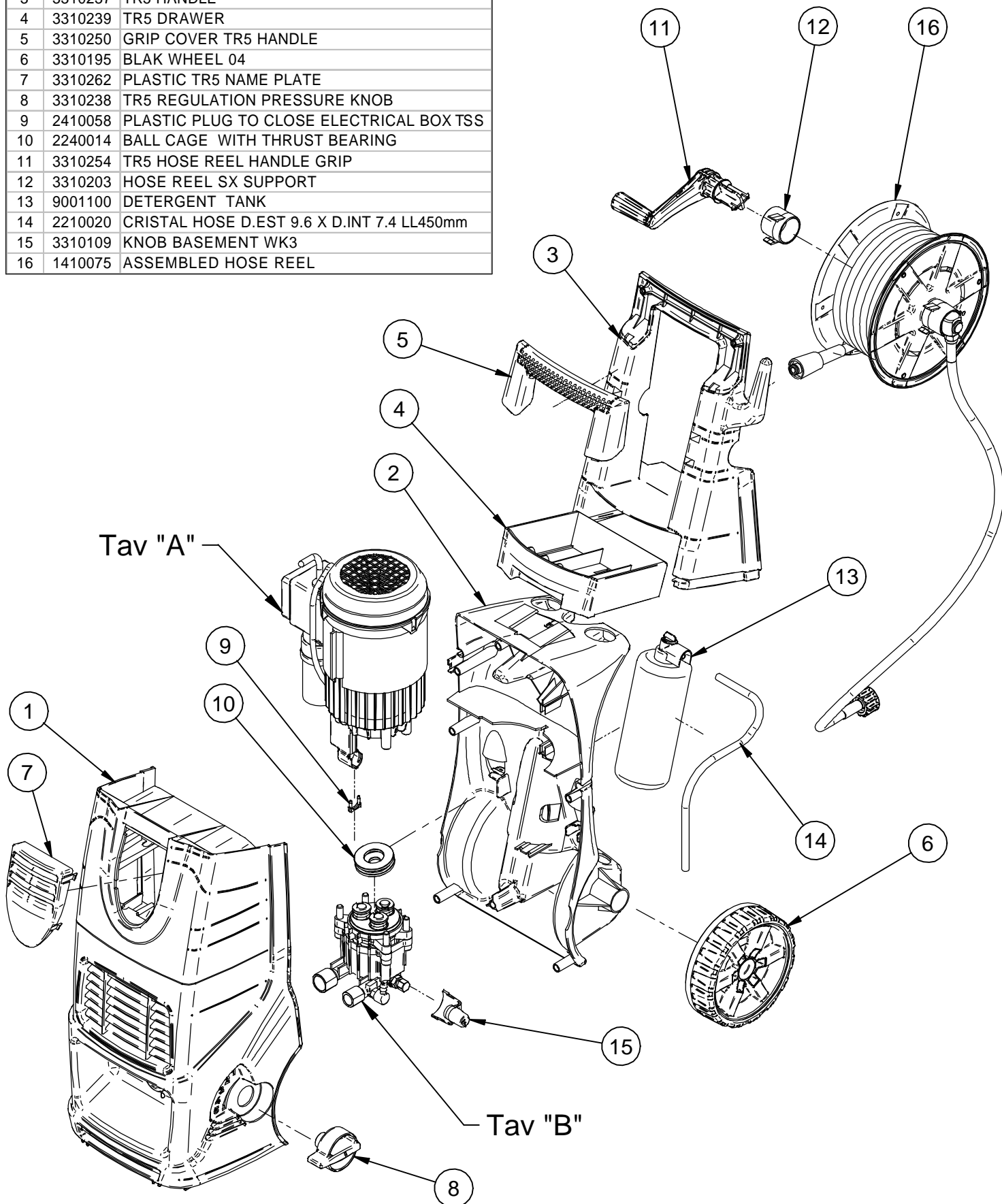
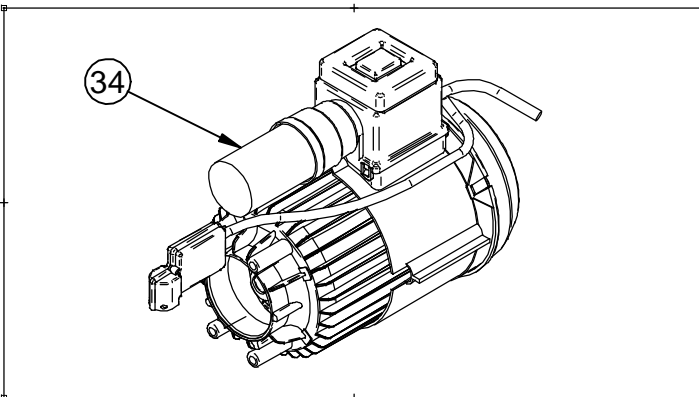
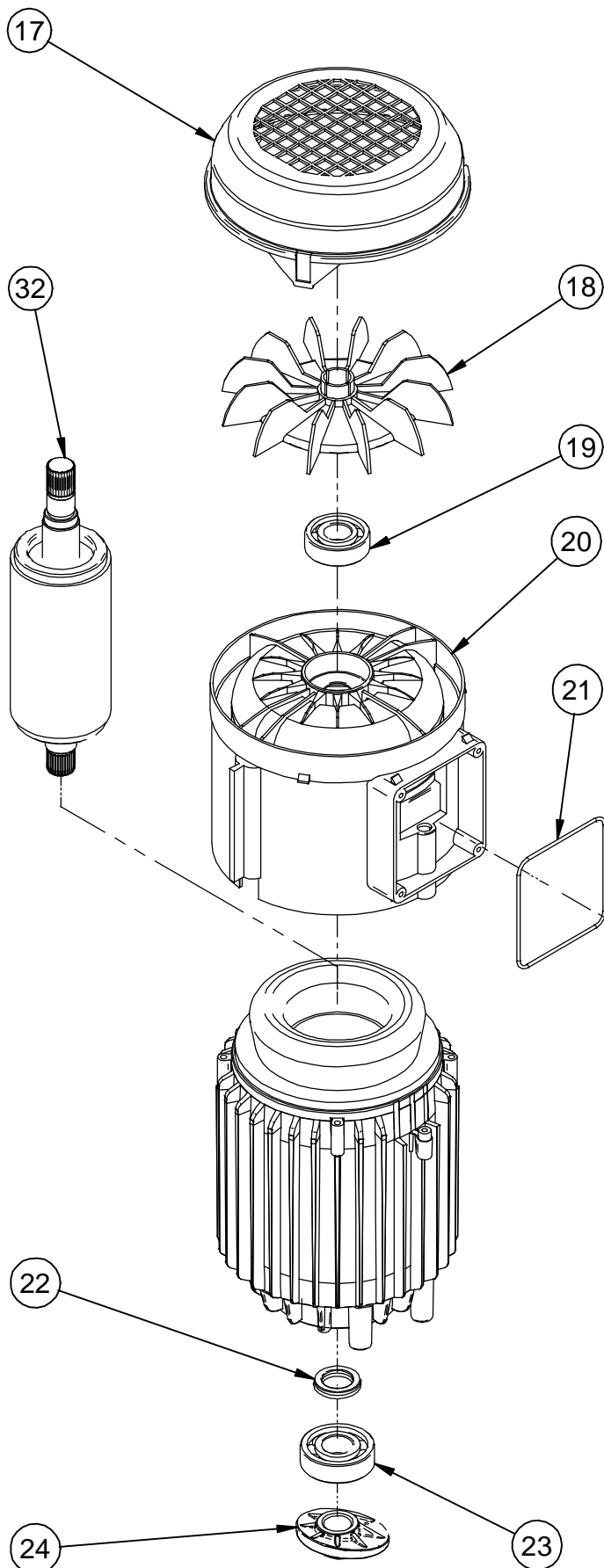


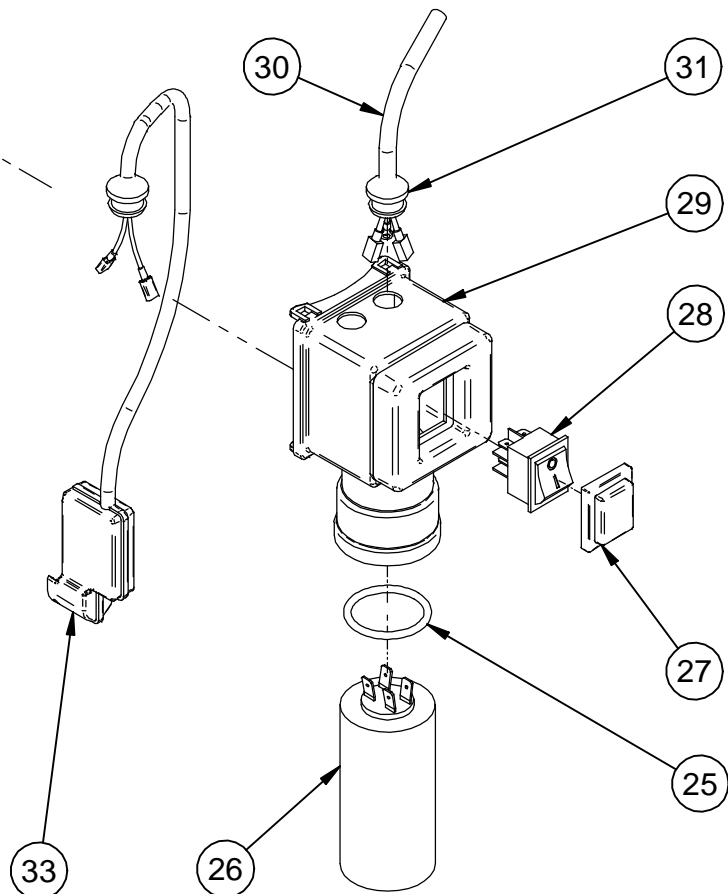
Pos. No.	Codice No.	Description
1	3310242	TR5 UPPER COVER YELLOW
2	3310130	LOWER COVER WK3 BLACK
3	3310237	TR5 HANDLE
4	3310239	TR5 DRAWER
5	3310250	GRIP COVER TR5 HANDLE
6	3310195	BLAK WHEEL 04
7	3310262	PLASTIC TR5 NAME PLATE
8	3310238	TR5 REGULATION PRESSURE KNOB
9	2410058	PLASTIC PLUG TO CLOSE ELECTRICAL BOX TSS
10	2240014	BALL CAGE WITH THRUST BEARING
11	3310254	TR5 HOSE REEL HANDLE GRIP
12	3310203	HOSE REEL SX SUPPORT
13	9001100	DETERGENT TANK
14	2210020	CRISTAL HOSE D.EST 9.6 X D.INT 7.4 LL450mm
15	3310109	KNOB BASEMENT WK3
16	1410075	ASSEMBLED HOSE REEL



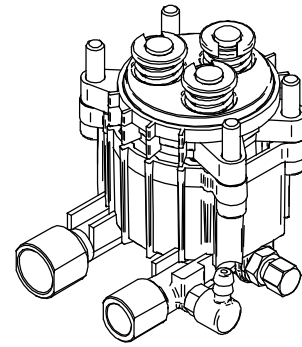
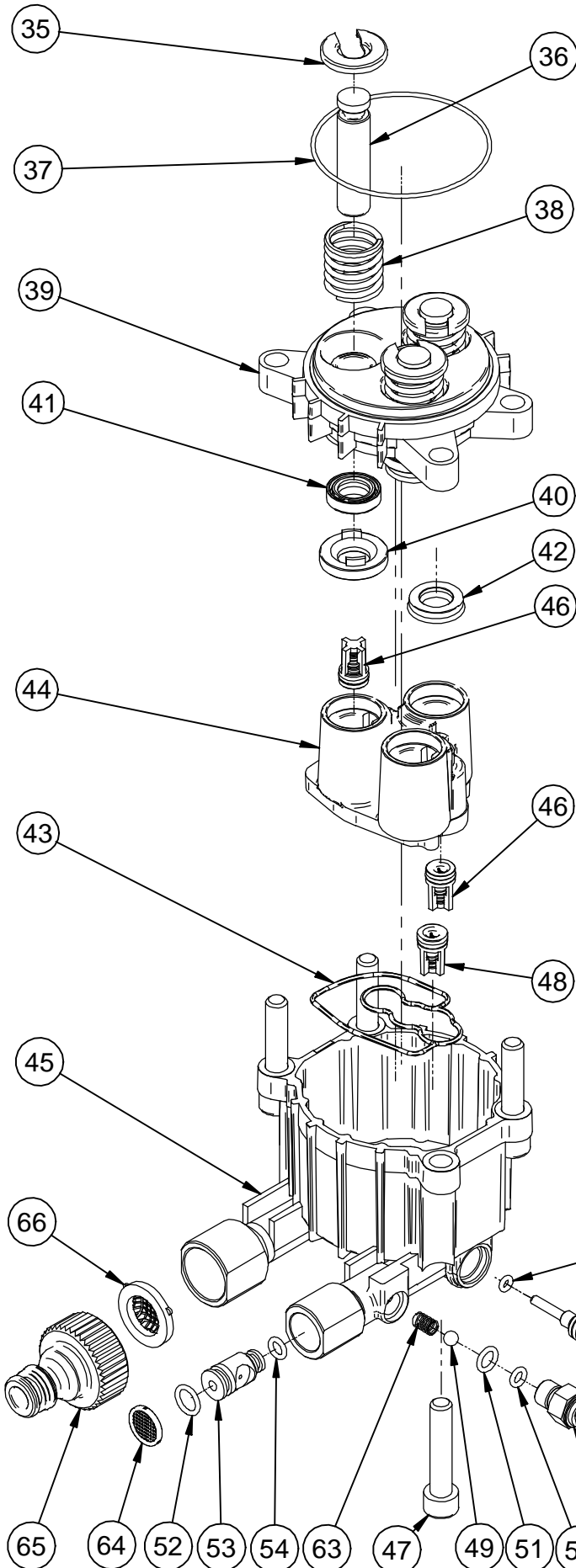
Tav. "A"



Pos. No.	Codice No.	Description
17	3310055	FAN COVER FOR PLASTIC SHIELD
18	2210015	FAN MEC 71
19	2240006	BALL BEARING 6202 ZZ
20	3310150	MOTOR PLASTIC SHIELD GREY NYLON 6.6
21	2220045	O-RING 2312 79 X 1.78 NBR70
22	2220013	OIL SEAL I 17 x 25 x 4
23	2240018	BALL BEARING 6203 ZZ M CMG21
24	3320033	INCLINED ALUMINIUM PLATE
25	2220043	O-RING 4137 34.52 X 3.53 NBR70
26	2410064	CAPACITOR 31,5 MF 450V
27	2410016	BLACK PROTECTION CAP POS.3
28	2410035	ON/OFF SWITCH
29	2410072	ELECTRIC BOX WK2 CE TSS
30	2440009	CABLE H05 RNF CM 550 SHUKO PLUG
31	2410068	COLLIED D.15 X D. 5.5
32	2430062	ROTOR WITH SHAFT 55H100
33	4200065	MICROSWITCH BOX WITH CABLE AND CABLE BY-PASS
34	1100108	MOTOR 110H80E WK3 TSS 230/50 SHUKO PLUG



Tav. "B"



Pos. No.	Codice No.	Description
35	2330008	PISTON WASHER D.12
36	3340006	PISTON D.12 LL 51.5
37	2220051	OR 63X1,5
38	3350017	PISTON SPRING K12
39	3320028	OIL SEAL SUPPORT K2
40	3330019	PISTON GUIDE
41	2220040	OIL SEAL 12X20X4/6 KCY
42	2220042	GASKET D. 20X12X5 GA
43	2220039	GASKET FOR PUMP HEAD K2
44	3320027	PUMP BODY K2
45	4300031	PUMP HEAD K2 WK3 TSS
46	4200053	VALVE A/M D.11X16 K
47	2310029	HEXAGON SOCKET HEAD SCREW M8X40 ZIN. UNI 5931
48	4200054	NO RETURN VALVE K
49	2240017	INOX BALL AISI 420 7/32" TO CLOSE DETERGENT HOSE
50	2220029	OR 2012 2,9 X 1,78 NBR 70 SH
51	2220001	OR 106 6,75X1,78 NBR70
52	2220002	OR 108 8,73X1,78 NBR 70 SH
53	4200072	INJECTOR WK3 COMPLETE WITH OR 108 AND OR 2021
54	2220052	OR 2021 5,28X1,78 NBR 70
55	4200060	PLUG WITH HOLE FOR REGULATOR SHAFT
56	2220008	OR 114 11,11X1,78
57	4200061	REGULATOR SHAFT
58	4200073	HOSE TAIL WK3 COMPLETE WITH OR 106 OR 2018 OR 2031
59	2220007	OR 2018 4,48X1,78 NBR70 SH
60	3310144	HOSE TAIL
61	2220038	O-RING 2031 NBR70 7.65X1.78
62	4200075	BY-PASS VALVE 03 TS K 130 BAR
63	3350020	SPRING
64	2210001	FILTER D.15
65	2210010	GARDEN JOINT 3/4"
66	2220016	FILTER AV 34.11

Pos. No.	Codice No.	Description
67	3310201	TR5 HOSE REEL D. 220 HALF FRAME
68	3310204	HOSE REEL DX SUPPORT
69	3330036	1/4 BRASS SPINDLE FOR HOSE REEL
70	2220008	OR 114 11,11X1,78
71	3330035	1/4 BRASS CONNECTOR
72	2330012	SEALING RING UNI 7439-9 INOX
73	3200020	10M HIGH PRESSURE HOSE + JOINT 1/4 + LANCE AR CONNECTION
74	3200017	HIGH PRESSURE HOSE PUMP CONNECTION + JOINT 1/4
75	8100001	FIXED BRUSH
76	8100012	ROTATING BRUSH
77	3350006	NOZZLE CLEANING PIN
78	1410067	ADAPTOR
79	1410063	GUN
80	1410064	EXTENSION
81	1410066	ROTOPOWER
82	1410065	HIGH/LOW PRESSURE NOZZLE LANCE

