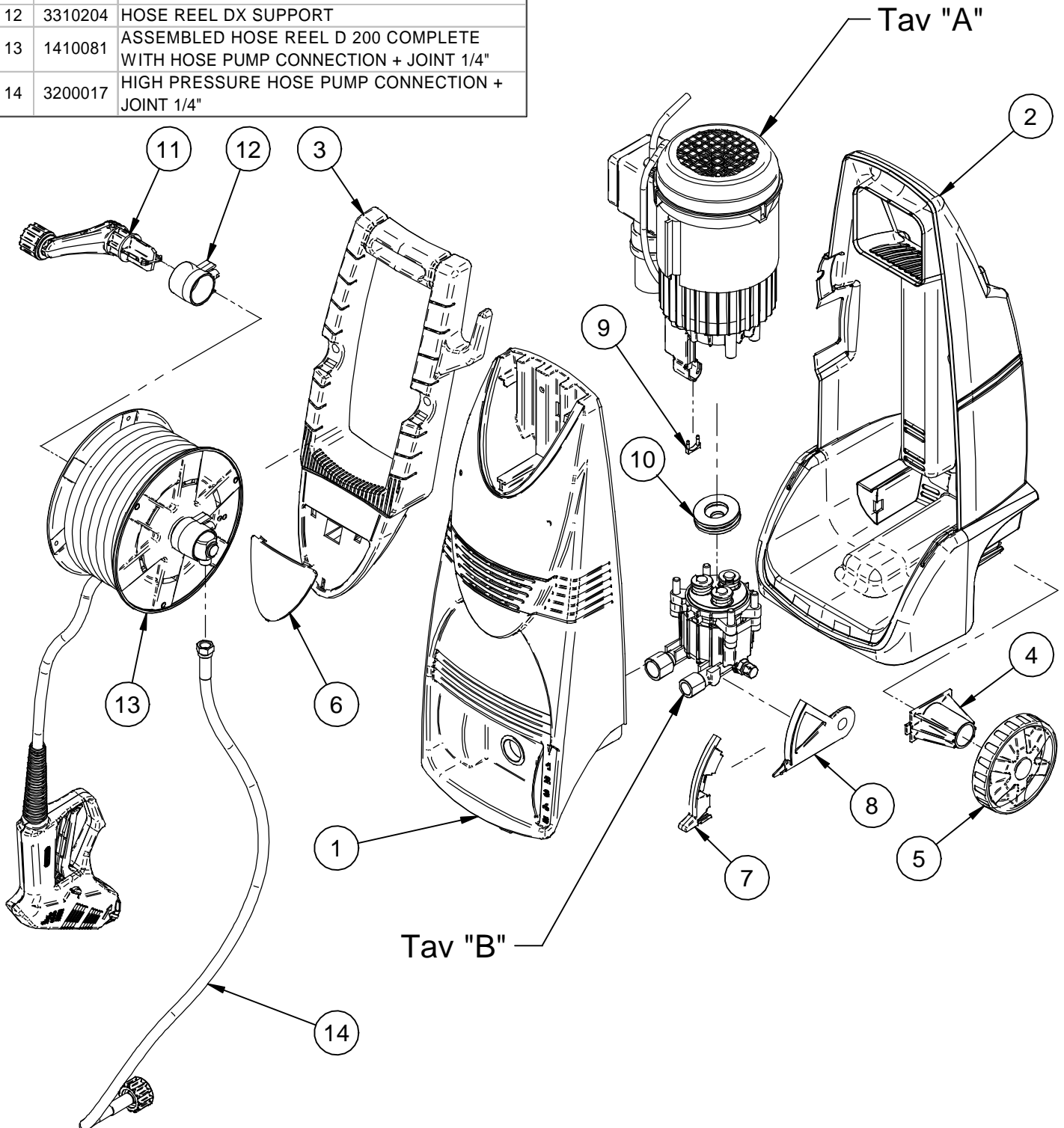
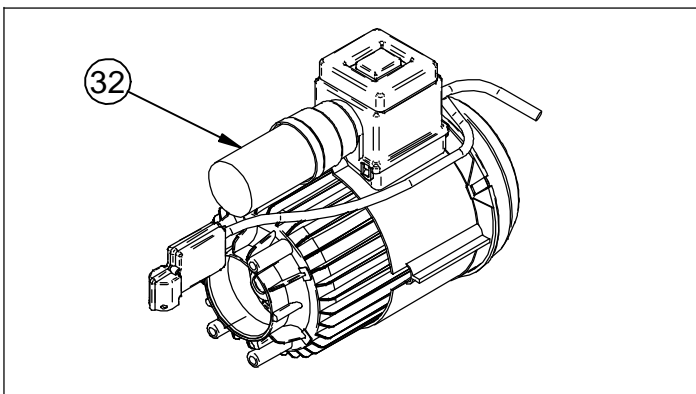
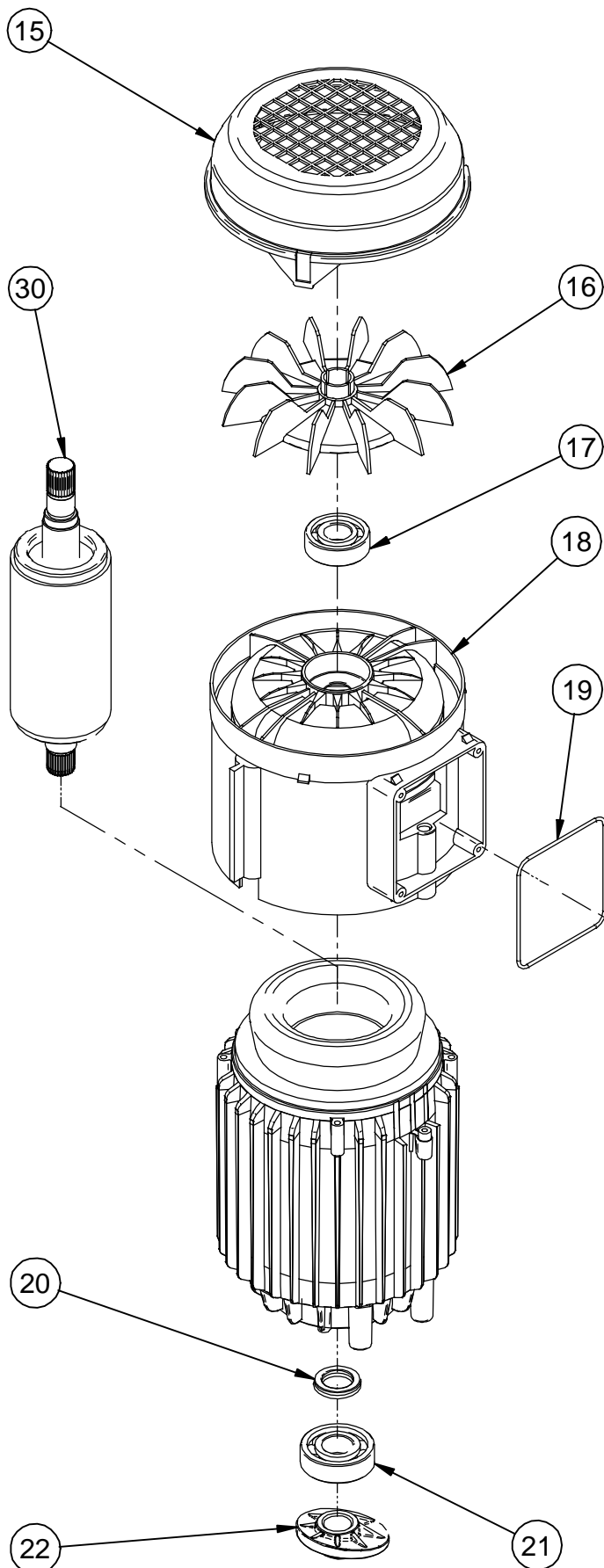


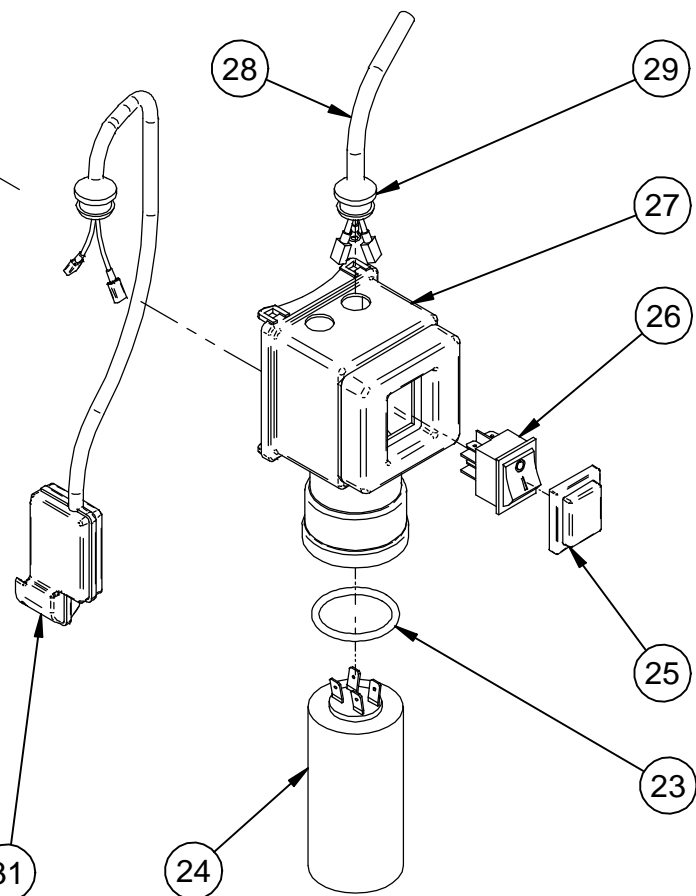
Pos. No.	Codice No.	Description
1	3310170	UPPER COVER TR2 YELLOW
2	3310084	LOWER COVER WK2 BLACK
3	3310181	TR2 HRB HANDLE
4	3310091	WHEELS BEARING
5	3310196	BLACK WHEEL
6	3310187	PLASTIC SHIELD TR2 SISTEMA
7	3310185	INDICATING KNOB FOR TR2
8	3310090	PRESSURE REGULATION LEVER
9	2410058	PLASTIC PLUG TO CLOSE ELECTRICAL BOX TSS
10	2240014	BALL CAGE WITH THRUST BEARING
11	3310254	TR5 HOSE REEL HANDLE GRIP
12	3310204	HOSE REEL DX SUPPORT
13	1410081	ASSEMBLED HOSE REEL D 200 COMPLETE WITH HOSE PUMP CONNECTION + JOINT 1/4"
14	3200017	HIGH PRESSURE HOSE PUMP CONNECTION + JOINT 1/4"



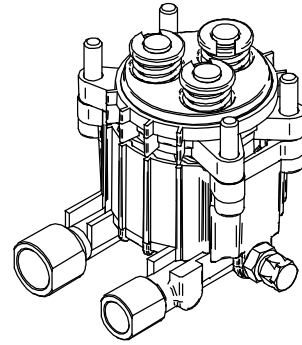
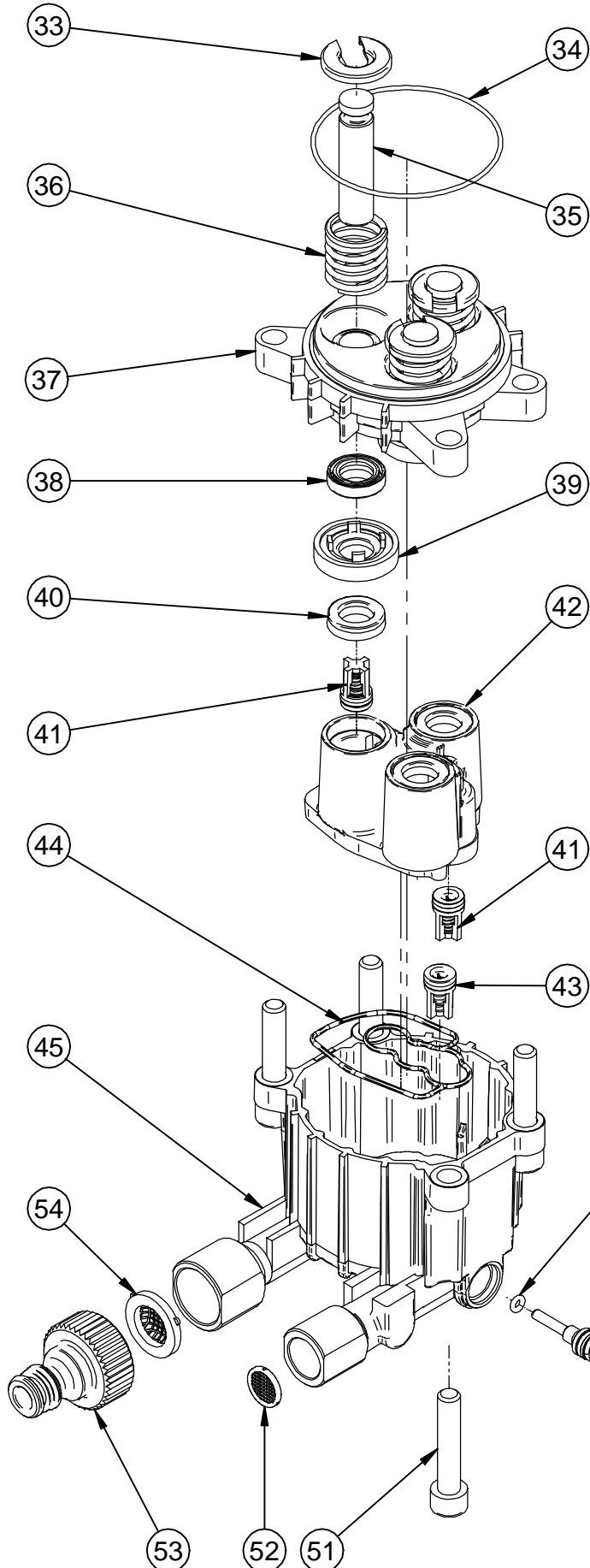
Tav. "A"



Pos. No.	Codice No.	Description
15	3310055	FAN COVER FOR PLASTIC SHIELD
16	2210015	FAN MEC 71
17	2240006	BALL BEARING 6202 ZZ
18	3310054	MOTOR PLASTIC SHIELD
19	2220045	O-RING 2312 79 X 1.78 NBR70
20	2220013	OIL SEAL I 17 x 25 x 4
21	2240016	BALL BEARING 6203 ZZ
22	3320035	INCLINED ALUMINIUM PLATE
23	2220043	O-RING 4137 34.52 X 3.53 NBR70
24	2410014	CAPACITOR 20MF 450V
25	2410016	BLACK PROTECTION CAP POS.3
26	2410035	ON/OFF SWITCH
27	2410072	ELECTRIC BOX WK2 CE TSS
28	2440024	CABLE H05 VV-F 3G0,75 CM 530 SHUKO PLUG
29	2410068	COLLIED D.15 X D. 5.5
30	2430053	ROTOR WITH SHAFT 55H80
31	4200065	MICROSWITCH BOX WITH CABLE AND CABLE BY-PASS
32	1100098	MOTOR 110H80E WK2 TSS 230/50 SHUKO PLUG



Tav. "B"



Pos. No	Codice No	Description
33	2330008	PISTON WASHER D.12
34	2220051	OR 63X1,5
35	3340006	PISTON D.12 LL 51.5
36	3350017	PISTON SPRING K12
37	3320028	OIL SEAL SUPPORT K2
38	2220040	OIL SEAL 12X20X4/6 KCY
39	2220041	PISTON GUIDE D.12
40	2220042	GASKET D. 20X12X5 GA
41	4200053	VALVE A/M D.11X16 K
42	3320027	PUMP BODY K2
43	4200054	NO RETURN VALVE K
44	2220039	GASKET FOR PUMP HEAD K2
45	4300028	PUMP HEAD K2 TSS 120
46	2220029	OR 2012 2,9 X 1,78 NBR 70 SH
47	4200074	BY - PASS VALVE 03 TS K 120 BAR
48	2220008	OR 114 11,11X1,78
49	4200060	PLUG WITH HOLE FOR REGULATOR SHAFT WITH OR 114
50	4200061	REGULATOR SHAFT WITH OR 2012
51	2310029	HEXAGON SOCKET HEAD SCREW M8X40 ZIN. UNI 5931
52	2210001	FILTER D.15
53	2210010	GARDEN JOINT 3/4"
54	2220016	FILTER AV 34.11

Pos. No	Codice No	Description
55	2210024	DETERGENT TANK
56	1410083	DETERGENT SPRAY ATTACH.
57	1410050	EXTENSION 02
58	1410056	VORTEX LANCE 02
59	1410051	LANCE 02
60	8100001	FIXED BRUSH
61	3350006	NOZZLE CLEANING PIN

